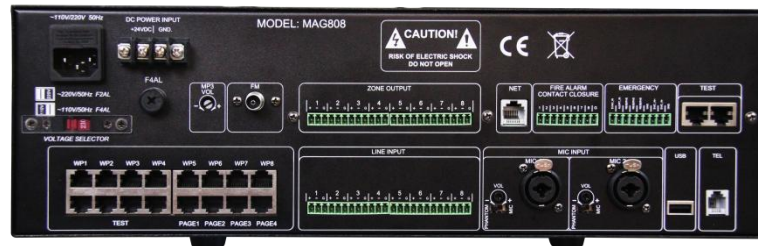


MAG808

8x8 Digital Audio Matrix System Main Unit



Description

The MAG808 8x8 Digital Audio Matrix System Main Unit is a highly integrated solution designed for multi-zone public address systems with flexible audio routing and centralized control. It supports 8 balanced audio inputs and 8 balanced outputs, enabling efficient multi-source distribution and independent zone management. The system integrates paging, audio matrix processing, scheduling, and emergency broadcasting functions into a single platform.

With support for remote paging microphones, control panels, and PC/Android devices over LAN, the MAG808 provides flexible system control and expansion. It also features multiple built-in audio sources, including AUX inputs, USB/MP3 playback, and FM radio, ensuring versatile audio operation.

Designed for emergency broadcasting applications, the system supports telephone paging to all zones, one-touch alarm triggering, and multiple fire alarm interfaces, making it suitable for large-scale and multi-functional venues. Typical applications include entertainment venues, hotels, sports centers, shopping malls, airports, and other complex multi-zone environments.

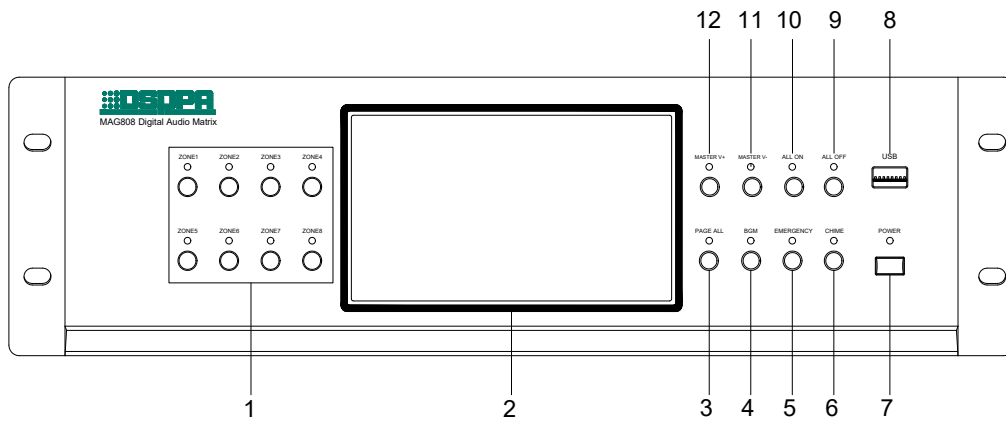
Features

- 7" capacitive touchscreen with full-color display and embedded operating system.
- Integrated high-performance DSP with Gigabit Ethernet (10/100/1000 Mbps) connectivity.
- Combines digital audio matrix processing, zone management, scheduling, and PA system control in one unit.
- Eight independent zone outputs, each with dedicated level adjustment and built-in graphical equalization.

- Each output channel can be assigned to remote control panels, allowing independent source selection and volume control for microphone, line input, and MP3 playback.
- Eight balanced line-level inputs, each configurable with independent gain control and EQ settings.
- Two local microphone inputs with selectable 48V phantom power and individual level adjustment.
- Integrated MP3 playback via internal storage or external USB device, with independent control and EQ.
- Built-in FM tuner with adjustable output level and equalization.
- Telephone paging interface with access control, enabling system-wide announcements with adjustable volume.
- Built-in chime generator with independent level control.
- One-touch voice alarm function with user-defined audio content.
- Supports up to four remote paging microphones with simultaneous paging capability and priority management.
- Dedicated fire emergency analog input channel.
- Eight zone-based fire trigger inputs (short-circuit), one global fire trigger input, and one fire linkage output (dry contact).
- LAN-based remote control via PC or Android devices.
- Physical shortcut keys for quick selection of zones and audio sources.
- Integrated zone monitoring capability.
- Built-in 8GB memory with support for expansion up to 32GB.
- Dual power supply support: AC 220V (or 110V) and 24V DC.

Specifications

Model	MAG808
Power supply	AC110V or AC220V/50Hz DC24V
Input sensitivity of MIC1 & MIC 2	10mV
Input sensitivity of lines 1-8	250mV
Output voltage of lines 1-8	1V
Input sensitivity of EMC	250mV
MIC I/O frequency response (± 3 dB)	80Hz~10kHz (± 3 dB)
Line I/O frequency response (± 3 dB)	20Hz~20kHz (± 3 dB)
Radio frequency band	86-108 MHz
Max. output noise	<3mV
Output distortion (@1kHz)	<1% 1KHz
Machine size	484mm×375mm×132mm (1PC)
Packing size	540mm×510mm×195mm (1PC)
Net weight	10Kg
Gross weight	13Kg (1PC)



1. 1-8 zones button and indicator

2. Display/Touch Screen

The display shows dynamically all information of the system and it is also the touch screen for operation.

3. Page all button and indicator

4. Background source button and indicator

5. Full emergency button and indicator

It can send the warning signals to all zones simultaneously by pressing the full-warning button of the system, and meanwhile, the indicator light is ON.

6. Chime and indicator

7. Power

8. USB

Use to connect the U disk with MPS programs, mobile hard disk and other memory devices. It can directly play the songs of the U disk and copy the programs for built-in MP3 player.

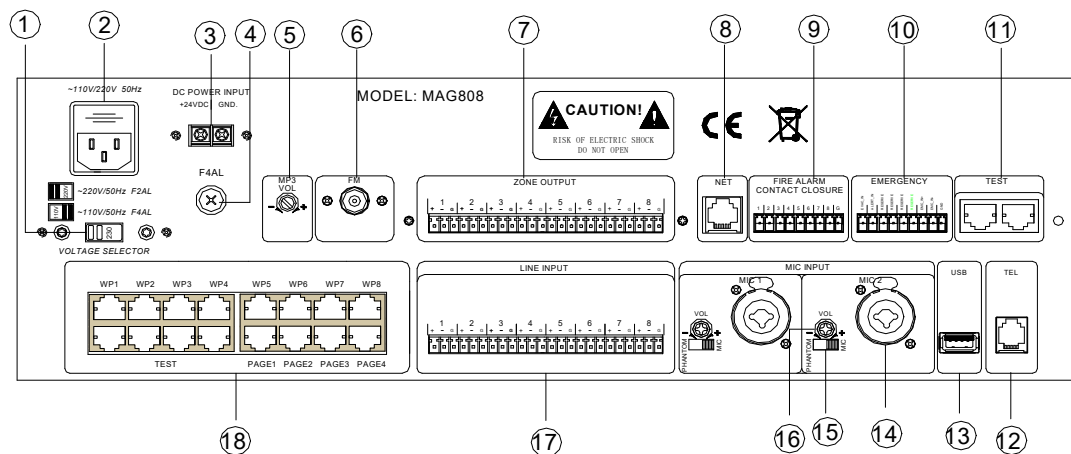
9. All-page close and indicator

10. All-page open and indicator

11. Volume control -

It controls the volume of zones. Press this button to turn down the volume

It controls the volume of zones. Press this button to turn up the volume



① AC 110V/220V Selector Switch

Use to select the operating voltage.

② AC Power Input Socket

Plug the AC power cord into this socket.

③ DC 24V connection terminal

Externally connect with DC 24V power supply.

④ DC 24V Fuse

Use for the fixed DC power supply. If it is fused, please replace it with the fuse of the same specification. A continuous fusing indicates that

there are some faults.

⑤ MP3 volume control knob

⑥ FM Antenna Interface

⑦ zones Output

Connect with the power amplifier.

⑧ Network Interface

It is used to connect the LAN, through which the remote control of the system is performed.

⑨ Alarm Signal Input

Input the signals from the fire control center.

⑩ Alarm Signal Input

⑪ Testing Interface

It is used for testing.

⑫ Telephone Interface

It is used to connect the telecom signals to this machine.

⑬ USB

It is used to update the applications.

⑭ MIC2 Input Interface

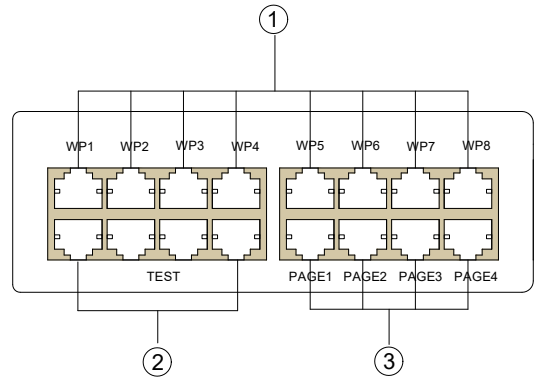
⑮ +48V Phantom Power Control Switch (MIC1-MIC2)

MIC1 and MIC2 are individually controlled. Turn left the switch to open this power source when the +48V phantom power supply microphone is used.

⑯ Volume Control Knob

⑰ Line Input Interface

⑱ As shown below:



① Control panel interface

Connect 8 sets MAG808C/MAG808S control panels.

② Extension interface

③ Connect 4 MAG808R paging microphones

System Diagram

